



TECH SHEET

STYLE NAME: FEROCIOUS
STYLE #: LXM050-650

STYLE NAME: FEROCIOUS

STYLE DESCRIPTION: MEN'S LACROSSE SHORT

FABRIC: LXM050 - TECH MESH 200
LXM650 - DAZZLE 100

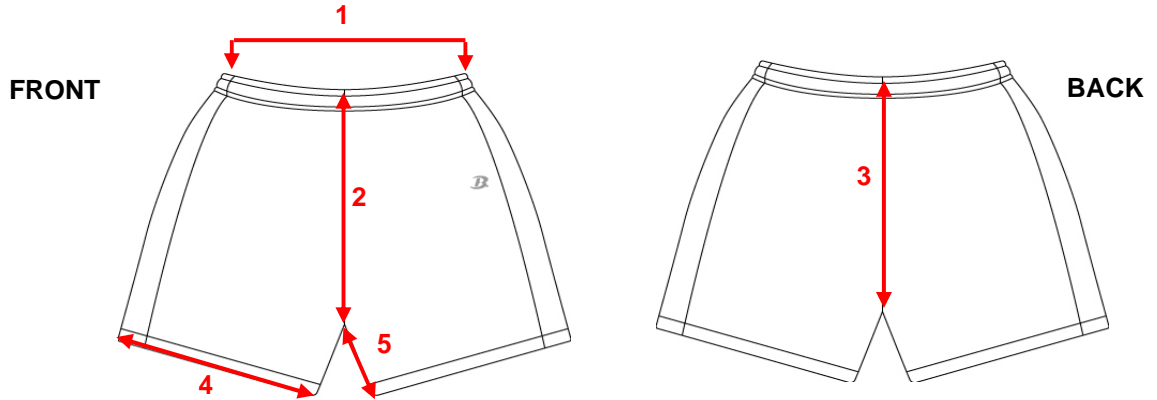
FIT

These are an 8" inseam short with no side vent, but a 4 1/2" side panel down both sides. These shorts are a baggier short in look & feel. There are no constraints with these shorts from the hips to the hem. They allow for freedom of movement while keeping the classic oversized look of today's shorts. These shorts should hang above the knee. These fit like the BBM050.650.

MEASUREMENTS

GARMENT MEASUREMENT GUIDELINES

All measurements are taken with garment placed on a flat surface, in a natural position, free of tension and with wrinkles smoothed out.



	GARMENT SIZE SPEC	XS	S	M	L	XL	2XL	3XL	4XL	
1	WAIST RELAXED (1/2)	11-1/2	12-1/2	13-1/2	14-1/2	15-1/2	16-1/2	17-1/2	18-1/2	
2	FRONT RISE	14	14 1/2	15	15 1/2	16	16 1/2	17	17 1/2	
3	BACK RISE	17 1/2	18	18 1/2	19	19 1/2	20	20 1/2	21	
4	LEG OPENING (1/2 RELAXED)	13 3/4	14	14 3/4	15 1/2	16 1/4	17	17 3/4	18 1/2	
5	INSEAM	8	8	8	8	8	8	8	8	
	BODY SIZE SPEC - UNISEX	XS	S	M	L	XL	2XL	3XL	4XL	5XL
	HEIGHT	5'5"	5'8"	5'10"	6'1"	6'3"	6'5"	6'7"	6'10"	6'11"
	WEIGHT	105	130	160	185	210	240	275	310	345
	CHEST	34"	36"	40"	43"	47"	51"	55"	57"	59"
	SLEEVE	30"	31"	33"	35-36"	37"	38"	39"	39"	40"
	WAIST	29"	30-31"	32-33"	34-35"	36-38"	39-41"	42-44"	45-48"	48-50"
	INSEAM	28"	30"	32"	33"	34"	35"	36"	37"	38"

BODY SIZE

BOATHOUSE SPORTS 425 E. Hunting Park Ave | Philadelphia, PA 19124 | 215.425.4300

CONFIDENTIAL

4-Mar-08